

Vehicle Types

(RCW 46.04)



Single Unit - A Self-propelled vehicle that does not have a trailer. (i.e. crane, concrete pump or a truck without a trailer)

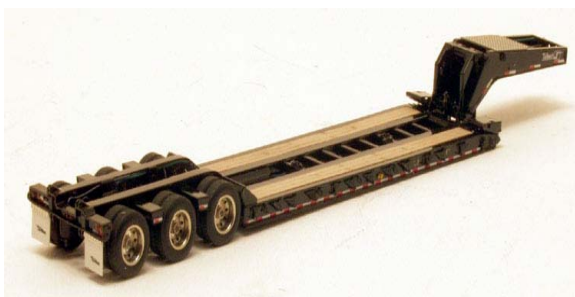


Truck - Single motor vehicle designed to carry freight. This vehicle can carry freight with or without a trailer attached.

Vehicle Types



- **Tractor** - Single motor vehicle designed to pull semi-trailer and supports a significant portion of the semi trailer weight. (Fifth Wheel)



- **Semi-trailer** - Designed to carry load and pulled by tractor. (Shares the weight with the tractor)



Legal Dimensions

- Height: 14 feet (RCW 46.44.020)
- Width: 8 feet 6 inches (RCW 46.44.010)
- Length: (RCW 46.44.030)
 - Single Unit 40 ft.
 - Semi Trailer 53 ft.
 - Truck/Trailer 75 ft.
 - Double Trailer 61 ft.
 - Rear Overhang 15 ft. from rear axle
 - Front Overhang 3 ft. from front bumper

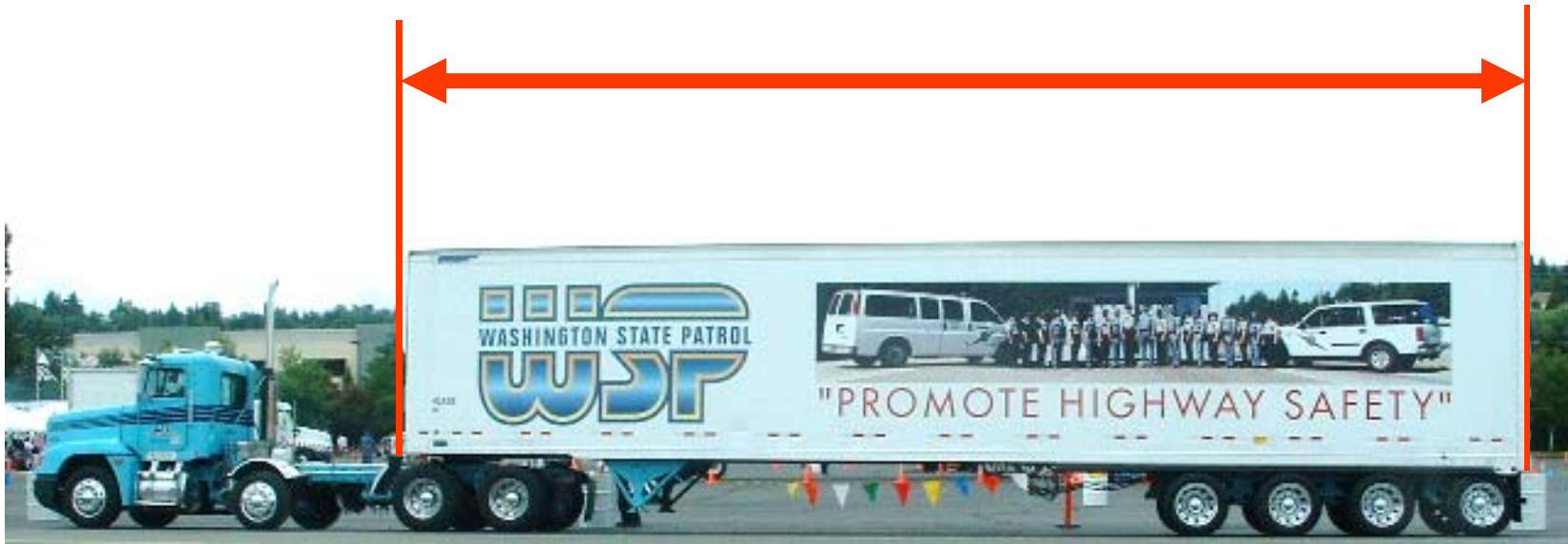
Legal Dimensions- Single Unit 40 ft. length



40'

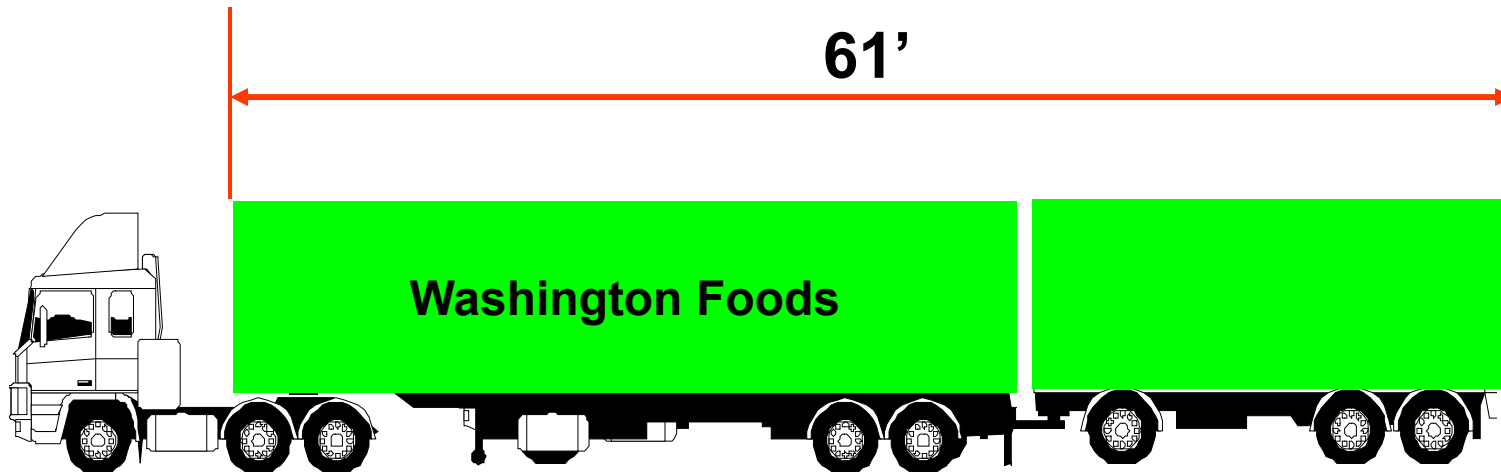
Legal Dimensions

Single Trailer 53 ft

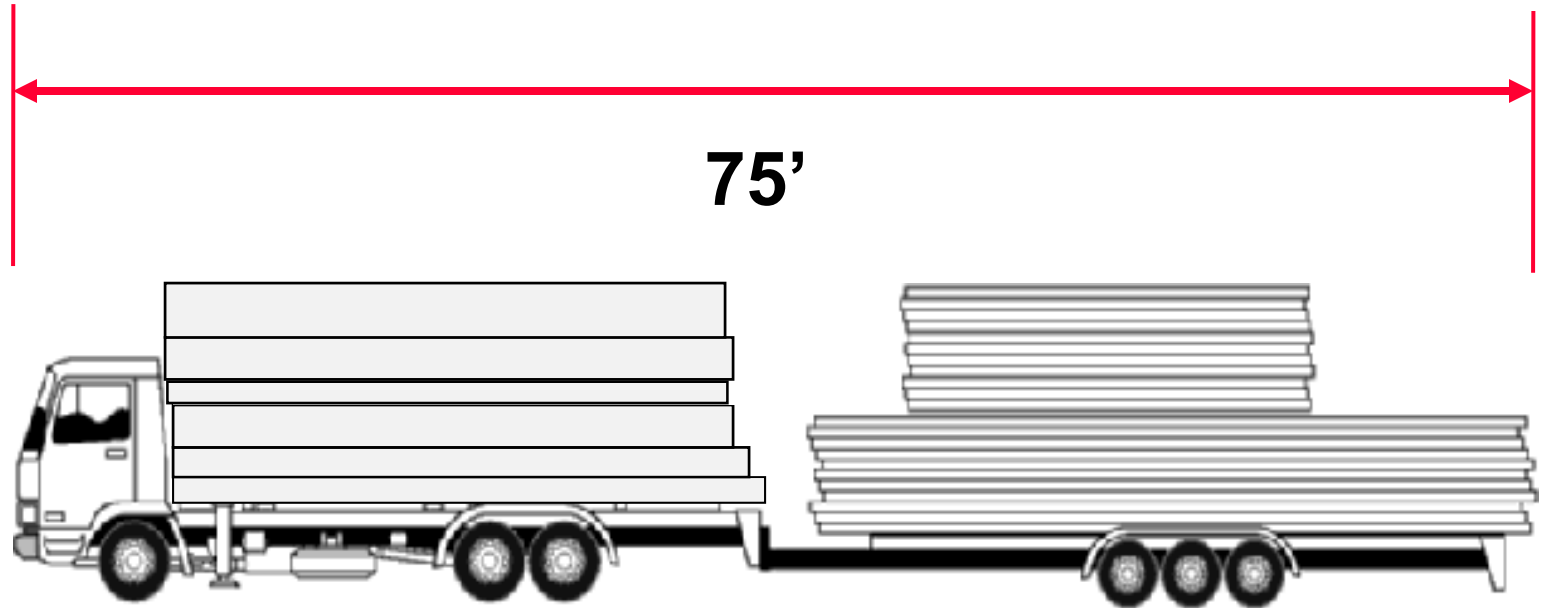


Legal Dimensions

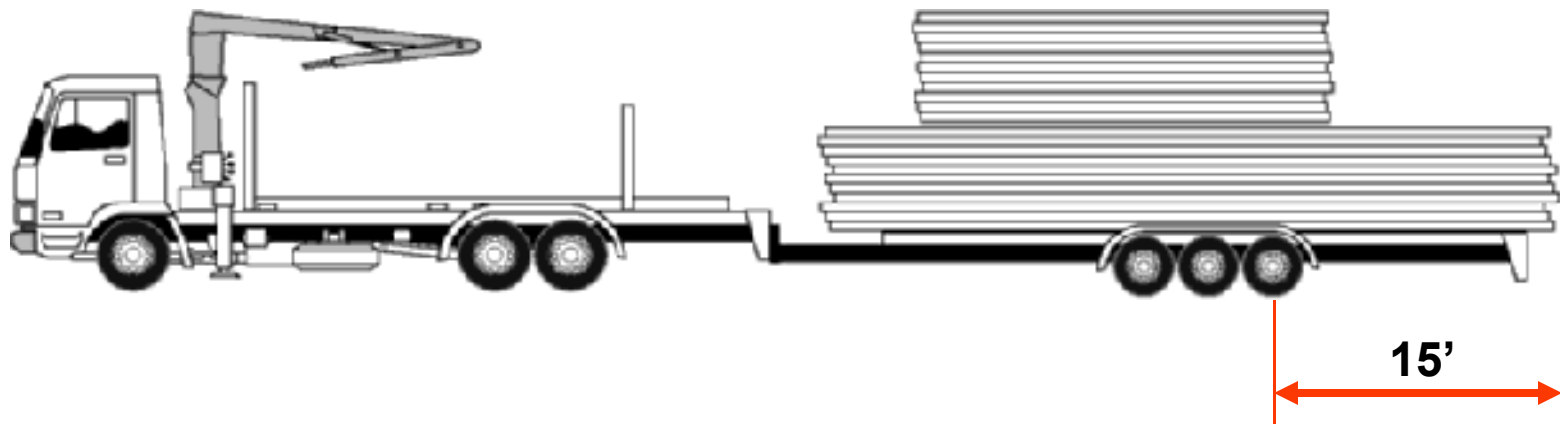
Double Trailers 61ft



Truck/Trailer Length



Legal Overhang-Rear



**15 ft. measured from center of last axle
(RCW 46.44.034)**

Legal Overhang-Front



**Measured 3 ft. from manufacture's front bumper
(RCW 46.44.034)**